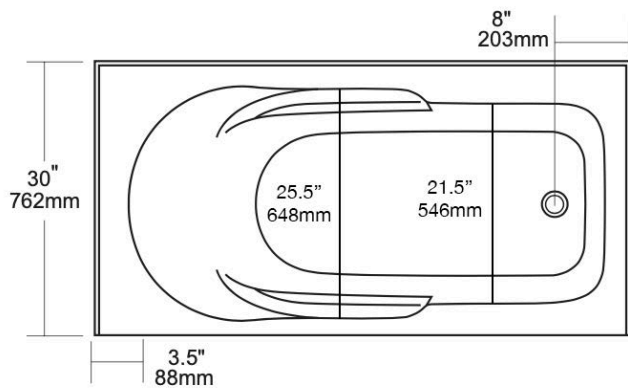
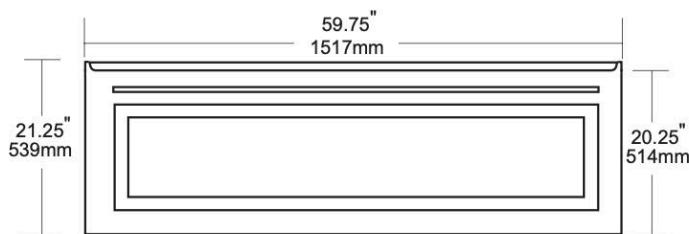


HARMONY

CQ5



- FITS INTO EXISTING ALCOVES
- DOUBLE-REINFORCED BASE
- DEEP SOAKING AREA
- CSA APPROVED
- CAN/ULC-S102 TESTED



Available with WHIRLPOOL or THERAPEUTIC AIR-FORCE options

Must be ordered RIGHT-HAND or LEFT-HAND

TEL: (905) 470-9066
FAX: (905) 470-9663
TOLL-FREE: +1 (800) 561-0187

TUBCO WHIRLPOOLS LTD.

2715 14th Avenue
Markham ON, L3R 0H9

tubco.com
marketing@tubco.com