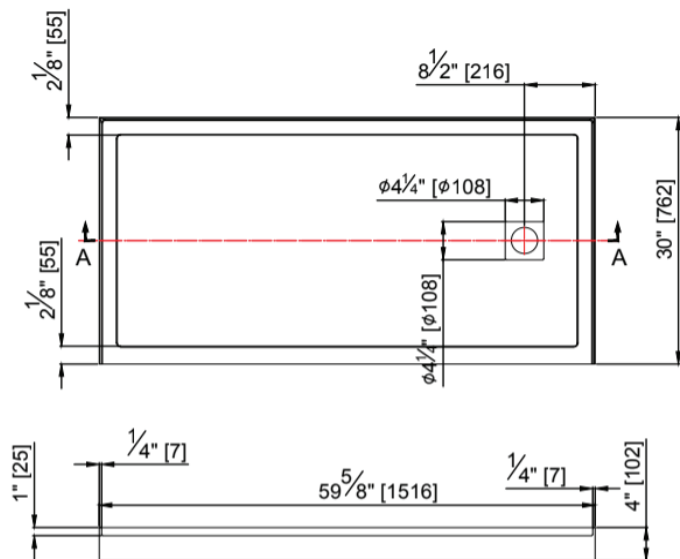


# LP6030 (L/R)



- DOUBLE-REINFORCED BASE
- SMOOTH BOTTOM
- CUPC APPROVED
- CAN/ULC-S102 TESTED

Must be ordered RIGHT-HAND or LEFT-HAND  
(LPR6030) (LPL6030)

TEL: (905) 470-9066  
FAX: (905) 470-9663  
TOLL-FREE: +1 (800) 561-0187

TUBCO WHIRLPOOLS LTD.

2715 14th Avenue  
Markham ON, L3R 0H9

tubco.com  
marketing@tubco.com